

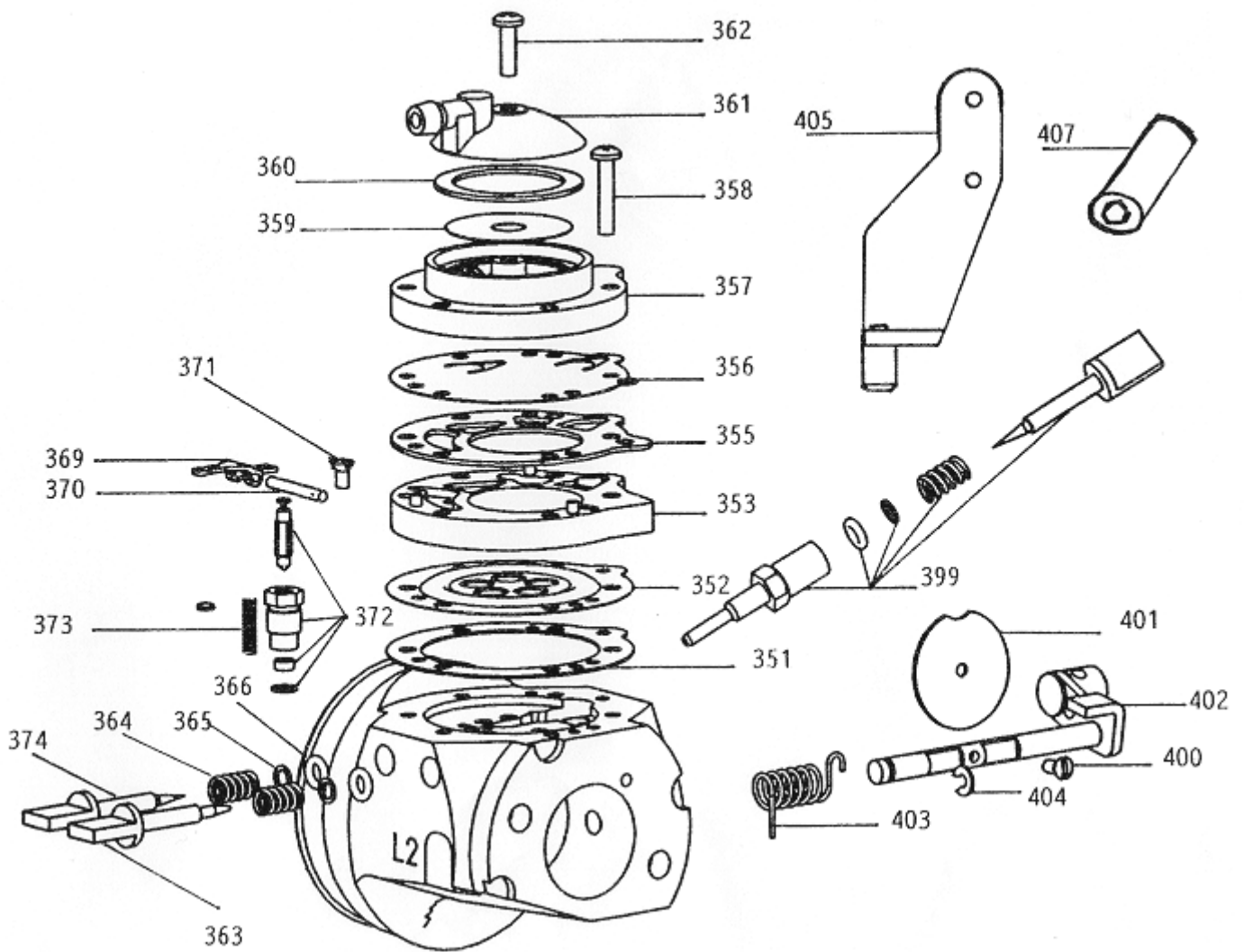


Butterfly carb. 24mm 2 Jet L6 CIK for KF2



idea

SPARE PARTS



idea

CARBURETTOR

No. 408 Kit membrane



No. 409 Kit complete



351 Diaphragm Gasket
352 Diaphragm
353 Diaphragm Cover
353 Diaphragm Cover for Piston Port
355 Fuel Pump Gasket
356 Fuel Pump Diaphragm brown
356/1 Fuel Pump Diaphragm transparent
357 Fuel Pump Body
358 Fuel Pump Screw
359 * Fuel Strainer Screen
360 Fuel Strainer Cover Gasket
361 Fuel Strainer Cover
362 Fuel Strainer Cover Ret. Screw
363 Idle Mixture Screw L.
364 Idle Mixture Screw Spring
365 Idle Mixture Screw Washer
366 Idle Mixture Screw Packing
369 Inlet Control Lever
370 Inlet Control Lever Fulcrum
371 Inlet Control Lever Screw
372 Inlet Needle Seat & Gasket
372/1 Inlet Needle only
372/2 Rubber for Inlet Needle Seat
372/3* Copper Washer for Needle Seat
373 Inlet Tension Spring 5/6/6,5/7 gr.
374 High Speed Mixture Screw H
399 Power Jet
400 Screw for Butterfly (new type)
401 Shutter L5 / L6
402 Shaft
402/1 Special shaft with shutter L5/L6
402/2 Special shaft with shutter L7
403 Spring for Shaft
404 Shaft Clip
405 Support for Cable
406 Support for Cable L5 / L6 / L7
407 Special nut M6
408 Kit Membrane
409 * Kit complete
410 Flanche Gasket for L7